

Dual Horizontal Deflector Fairleads

Description:

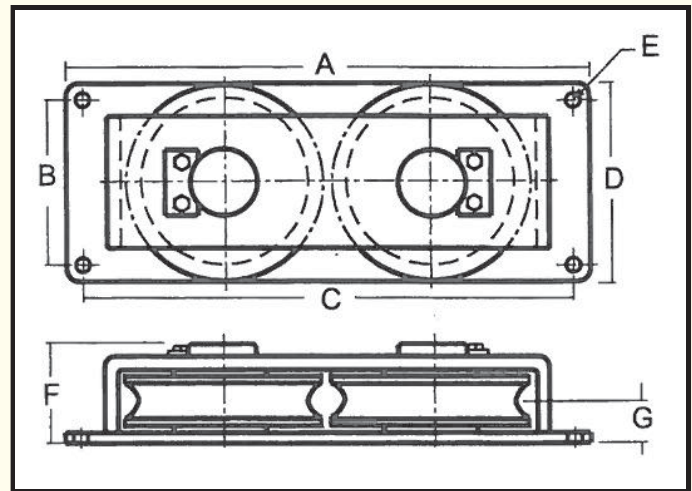
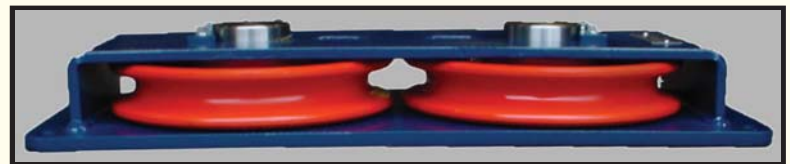
Wintech dual horizontal deflector sheave fairleads are designed to direct wire rope from the winch to the load. The dual sheave allows cable to be directed right or left through a full 180 degree range of angle. Fairleads are designed for long life in severe duty applications. *Custom configurations are available to suit unique rigging challenges.*

Standard Features:

- Cast or steel sheaves with precision machined grooves
- Deep groove sealed ball bearings
- Alloy steel shaft
- Heavy duty fabricated steel frame
- Bolt down or weld down base

Options Available:

- Greasable bronze bearings
- Stainless steel shaft and hardware
- Nylatron synthetic sheave
- Customized sheave configurations



Model Number	Sheave Diameter	Wire Rope Size	Safe Working Load (lbs)	Dimensions (inches)						
				A	B	C	D	E	F	G
DH-1	6"	1/2"	4,000	15.5	5.0	14.5	6	0.44	2.75	1.13
DH-2	8"	5/8"	8,000	20	6.75	18.75	8	0.56	3.25	1.38
DH-3	10"	3/4"	12,000	24.5	8.5	23	10	0.69	3.75	1.75
DH-4	14"	7/8"	20,000	34	11.5	31	13.5	0.81	4.5	2.25

Due to our policy of continuing development, all specifications are subject to change without notice. Users of these products are responsible for ensuring their suitability for the application in which they are being used.

