

1/2 and 1 Ton Spur-Gear Hand Winch

Description:

The AM (1/2 Ton) and BM (1 Ton) Spur Gear Hand Winches are designed to offer a portable hand winch for light lifting, lowering, holding, moving or securing rated loads. These winches are not recommended for power applications. These winches include an optional disc brake handle which incorporates a “Weston” style load brake to automatically hold the rated load in lifting applications.

Standard Features:

- Cast steel drum
- Ductile iron fram
- Cast bronze spur gear pinion
- Spring operated load holding dogs
- Two-way operation on models without brakes
- Single direction on models equipped with lowering brakes
- Two drum widths: 3 or 6 inches
- Suitable for marine environment

Options Available:

- Gear cover: Part number: 6190 for AM and BM Series
- Hand actuated band style lowering brake (Add suffix “B” to model code)
- Disc brake handle: Part number: 3893 for AM and BM Series
- Marine 812 polyurethane finish
- Drum divider flange



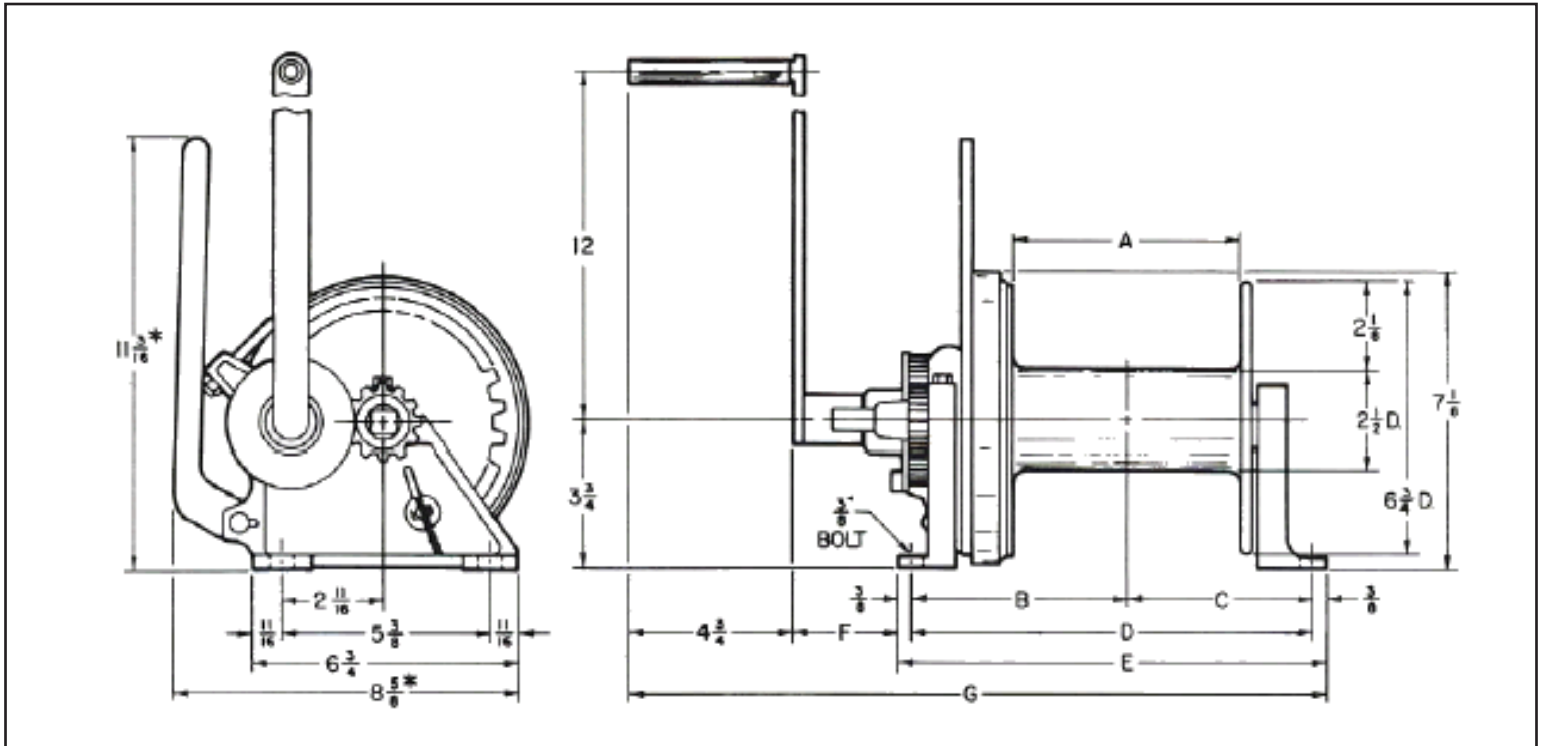
Pictured: AM3 Spur Gear Hand Winch

Warning: Before installation see maintenance and operations manual for additional warnings and precautions. This equipment is not to be used for lifting, supporting or transporting people or lifting or supporting loads over people.

Model Numbers		Capacity* (US Tons)	Gear Ratio	Drum Capacities (ft.)				Shipping Weight (lbs.)	
without brake	with brake			1/8"	3/16"	1/4"	5/16"	without brake	with brake
AM3	AM3B	1/2	5.25:1	367	151	89	54	20	23
AM6	AM6B	1/2	5.25:1	735	303	178	109	23	25
BM3	BM3B	1	5.25:1/10.5:1	367	151	89	54	23	25
BM6	BM6B	1	5.25:1/10.5:1	735	303	178	109	24	27

**Winching capacity rated on first layer.*





Due to our policy of continuing development, all specifications are subject to change without notice. Users of these products are responsible for ensuring their suitability for the application in which they are being used.

Model Numbers		Dimensions (inches)						
without brake	with brake	A	B	C	D	E	F	G
AM3	AM3B	3	4 7/32	3 9/32	7 1/2	8 1/4	2 1/8	15 1/8
AM6	AM6B	6	5 23/32	4 25/32	10 1/2	11 1/4	2 1/8	18 1/8
BM3	BM3B	3	4 7/32	3 9/32	7 1/2	8 1/4	3	16
BM6	BM6B	6	5 23/32	4 25/32	10 1/2	11 1/4	3	19



Wintech International, LLC

5319 Shreveport-Blanchard Hwy.

Shreveport, LA 71107

P: 318.929.1242 • F: 318.929.1245

www.wintech-winch.com